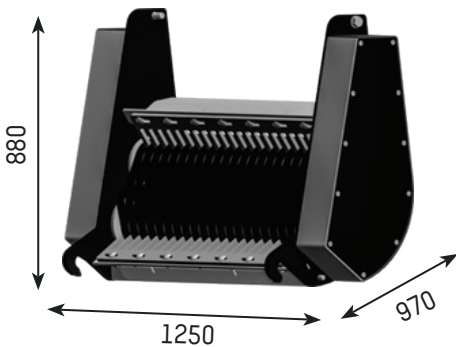


## XO 2090 FRAME

RECOMMENDED EXCAVATOR SIZE 5 TONS

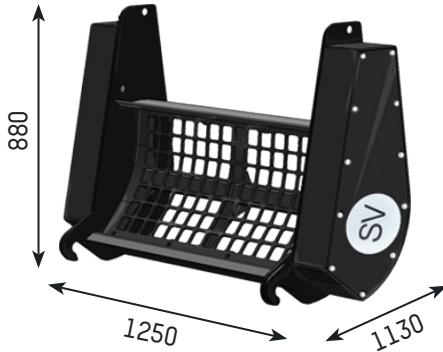
	METRIC	IMPERIAL
BUCKET VOLUME	0.35 m <sup>3</sup>	0.45 yd <sup>3</sup>
WIDTH	1250 mm	49 inch
DEPTH	970 mm	38 inch
HEIGHT	880 mm	35 inch
WEIGHT	235 kg	520 lbs



## + SB / SC MODULE

	METRIC	IMPERIAL
MAXIMUM ALLOWED PRESSURE	300 bar	4350 psi
RECOMMENDED HYDRAULIC OIL FLOW, MIN-MAX	40 - 75 l/min	10 - 20 gal/min
BUCKET VOLUME	0.32 - 0.37 m <sup>3</sup>	0.4 - 0.5 yd <sup>3</sup>
SCREENING AREA	0.5 m <sup>2</sup>	5.4 ft <sup>2</sup>
WIDTH	1250 mm	49 inch
DEPTH	970 mm	38 inch
HEIGHT	880 mm	35 inch
WEIGHT*	615 kg	1355 lbs

\* WEIGHT IS CALCULATED WITH CONFIGURATION X001 10/30, COMB COUNTER BLADES, NO CLEANING SCRAPERS



## + SV MODULE

	METRIC	IMPERIAL
MAXIMUM ALLOWED PRESSURE	200 bar	2900 psi
RECOMMENDED HYDRAULIC OIL FLOW, MIN-MAX	20 - 40 l/min	5 - 10 gal/min
BUCKET VOLUME	0.32 - 0.37 m <sup>3</sup>	0.4 - 0.5 yd <sup>3</sup>
SCREENING AREA	0.5 m <sup>2</sup>	5.4 ft <sup>2</sup>
WIDTH	1250 mm	49 inch
DEPTH	1130 mm	45 inch
HEIGHT	880 mm	35 inch
WEIGHT*	410 kg	900 lbs

\* WEIGHT WITH 25 MM SCREENING MESH